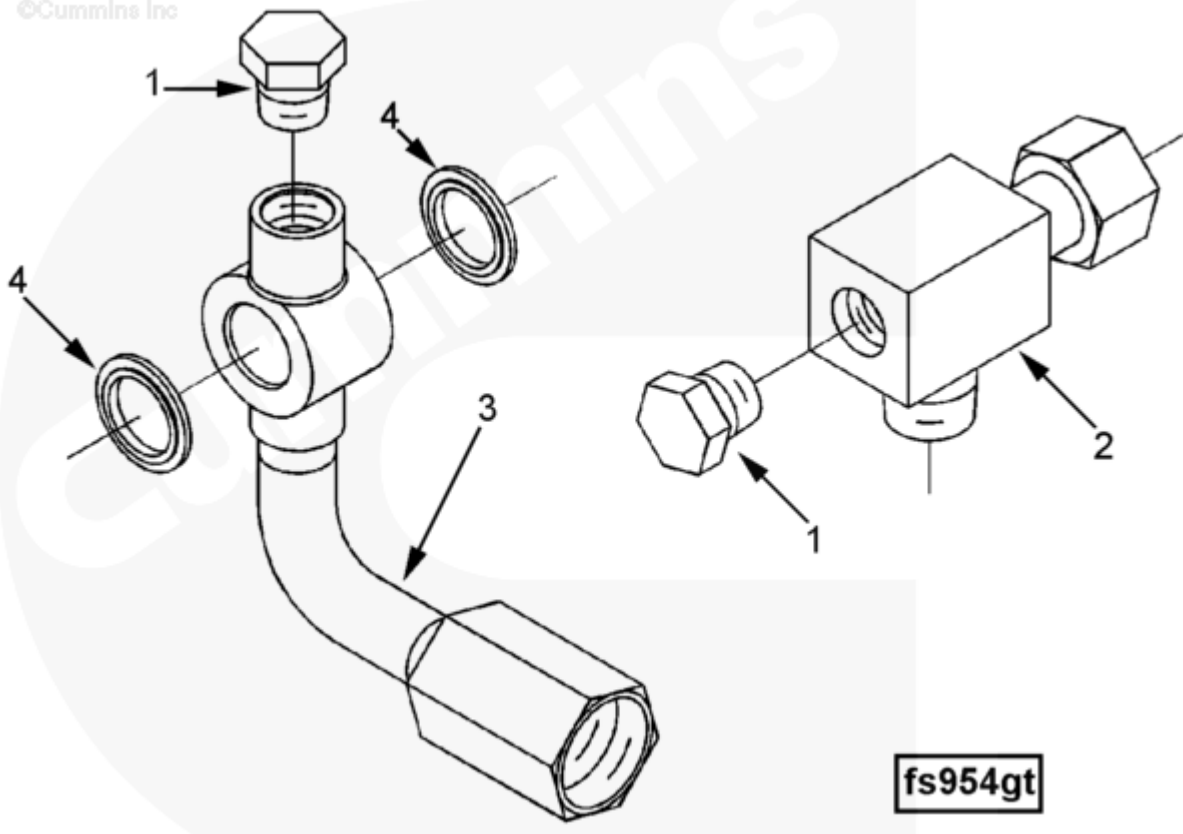




Parts Catalog - Option Detail

Electronic Parts Catalog - Option Detail				
Option	Group	Graphic	Film Card	Date
FS9195-01	05.19	fs954gt	Z	11-SEP-98
Engines	6C8.3, C GAS PLUS CM556, G8.3, G8.3 CM558, GTA8.3 CM558, ISC CM2150, ISC CM554, ISC CM850, ISC8.3 CM2250, ISC8.3 G CM2180 C101, ISL CM2150, ISL CM554, ISL CM850, ISL G CM2180, ISL8.9 CM2150 L110, ISL8.9 CM2880 L112, ISL9 CM2150 SN, ISL9 CM2250, ISL9 CM2350 L101, ISL9 CM2350 L111, ISLE4 CM850, L GAS PLUS CM556, L8.9, L8.9 L121, L8.9G CMOH2.0 L125B, L9 CM2350 L116B, L9 CM2350 L119B, L9 CM2350 L120C, L9 CM2350 L123B, L9.3 L105, L9.5 L117, L9N CM2380 L124B, QSC8.3 CM2250, QSC8.3 CM2880 C102, QSC8.3 CM554, QSC8.3 CM850(CM2850), QSL9 CM2250, QSL9 CM2250 L115, QSL9 CM2350 L102, QSL9 CM2350 L107, QSL9 CM2350 L118, QSL9 CM2350 L122, QSL9 CM554, QSL9 CM850(CM2850), QSL9 G CM558, QSL9 M CM2250 L106, QSL9.3 CM2880 L113			



SMALL | MEDIUM | LARGE

Cart	Ref No	Part Number	Part Description	Required	Remarks
View My Cart					
		FS9195-01	Fuel System Accessories		
					Structure Code: 02 EBM
					Component Provided: Fuel
					Supply And Drain Lines

					Aspiration:
					Turbocharged
					Sea Water Aftercooled
					Contains Fittings For
					Customer Interface:
					1/2-14 NPTF Lift Pump
					Outlet
					3/8-18 NPTF Fuel Pump
					Return, Attaches To Fuel
					Cooler.
<input type="checkbox"/>		3393766	Female Adapter Tee	1	Purchase Individual Parts
<input type="checkbox"/>	1	3278093	Pipe Plug	1	1/4 NPT
<input type="checkbox"/>	2	3393758	Female Adapter Tee	1	
<input type="checkbox"/>		3393767	Fuel Supply Tube	1	
<input type="checkbox"/>	1	3278093	Pipe Plug	1	1/4 NPT
<input type="checkbox"/>	3	3393737	Fuel Supply Tube	1	
<input type="checkbox"/>	4	3935172	Sealing Washer	2	